

OCTOBER 30, 2020

**RE: EAST CENTRAL DRAINAGE BASIN UTILITY AND STREET IMPROVEMENTS –
PHASE II
MITCHELL, SOUTH DAKOTA
SPN #15273**

ADDENDUM NUMBER 1

The following information for clarification and modifications are to be made to the plans and specifications for the East Central Drainage Basin Utility and Street Improvements – Phase II project.

SPECIFICATIONS

SECTION 00410 – BID FORM – ARTICLE 5 – BASIS OF BID

The bid quantity for Bid Schedule A Item 43, 60" Storm Sewer Manhole has been revised to 2 each.

The bid quantity for Bid Schedule A Item 44, 72" Storm Sewer Manhole has been revised to 3 each.

Bid Schedule A Item 117, Tracer Wire Box for Water Main has been added.

Revised Pages 7-11 of the Bid Form are attached.

SECTION 02500 – PAVING AND SURFACING – 2.03 GEOTEXTILE FABRIC SEPARATOR

Winfab 370HP as manufactured by Winfab shall be added as an approved equal to Paragraph 2.03.A.

SECTION 02605 – MANHOLES AND CASTINGS – 2.02 MANHOLE CASTINGS

Model 1205Z as manufactured by EJ shall be added as an approved equal to Paragraph 2.02.G.

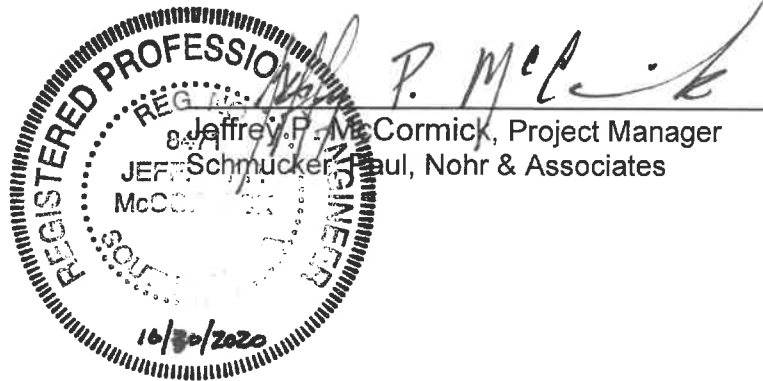
Model 7030Z1 Curb Inlet Frame as manufactured by EJ shall be added as an approved equal to Paragraph 2.03 A.

PLANS

Sheet 75 Inlet #29 Model 1150Z Frame and Grate 1150N as manufactured by EJ shall be added as an approved equal.

Sheet 127: The 30 Inch Diameter Storm Inlet detail shall be replaced with the attached.

Model 7600Z Curb Inlet Frame and V4230-2 Grate as manufactured by EJ shall be added as an approved equal to Neenah R-3580-1 Casting.



The undersigned hereby acknowledges receipt of Addendum Number 1 to the plans and specifications for the East Central Drainage Basin Utility and Street Improvements – Phase II.

FIRM NAME _____
BY _____
TITLE _____
DATE _____

ATTACH THIS SIGNED ADDENDUM NO. 1 TO THE BID FORM WHEN SUBMITTING.

4. "coercive practice" means harming or threatening to harm, directly or indirectly, persons or their property to influence their participation in the bidding process or affect the execution of the Contract.

ARTICLE 5 – BASIS OF BID

5.01 Bidder will complete the Work in accordance with the Contract Documents for the following price(s):

Bid Schedule A - EDA Participating

	Description	Quantity	Unit Price	Total Price
1	Mobilization (Bid Schedule A)	1 LS		
2	Remove and Dispose of Tree	6 EA		
3	Remove and Dispose of Asphalt Pavement	8,533 SY		
4	Full Depth Asphalt Saw Cut	687 LF		
5	Full Depth Concrete Saw Cut	328 LF		
6	Remove and Dispose of Concrete Curb and Gutter	800 LF		
7	Remove and Dispose of Concrete Fillet Section	120 SY		
8	Remove and Dispose of Concrete Valley Gutter	20 SY		
9	Remove and Dispose of Concrete Approach	316 SY		
10	Remove and Dispose of Concrete Sidewalk	109 SY		
11	Remove and Dispose of Sanitary Sewer Manhole	6 EA		
12	Remove and Dispose of Storm Sewer Manhole	6 EA		
13	Remove and Dispose of Storm Inlet	13 EA		
14	Remove and Dispose of Culvert (All sizes and types)	431 LF		
15	Remove and Dispose of Storm Sewer Pipe 15" and Under (all types)	439 LF		
16	Remove and Dispose of Existing 24" RCP Storm Sewer	746 LF		
17	Remove and Salvage Fire Hydrant	1 EA		
18	Remove and Salvage Mailbox	14 EA		
19	Remove and Salvage Traffic Sign	10 EA		
20	Remove, Salvage, and Reset Fence	49 LF		

Bid Schedule A, Continued

Item	Description	Quantity	Unit Price	Total Price
21	Remove and Dispose of Existing 54" Cap	1 EA		
22	Abandon 24" RCP with Flowable Fill	150 LF		
23	8" PVC Storm Sewer Pipe	12 LF		
24	12" PVC Storm Sewer Pipe	15 LF		
25	12" RCP Storm Sewer Pipe	440 LF		
26	15" RCP Storm Sewer Pipe	323 LF		
27	18" RCP Storm Sewer Pipe	756 LF		
28	24" RCP Storm Sewer Pipe	976 LF		
29	30" RCP Storm Sewer Pipe	398 LF		
30	36" RCP Storm Sewer Pipe	37 LF		
31	36" Arch RCP Storm Sewer Pipe	395 LF		
32	42" RCP Storm Sewer Pipe	118 LF		
33	48" RCP Storm Sewer Pipe	207 LF		
34	54" RCP Storm Sewer Pipe	1,079 LF		
35	Dewatering (Storm Sewer)	2,064 LF		
36	54" X 15" RCP Tee	1 EA		
37	54" 45 Degree RCP Bend	1 EA		
38	36" Arch x 8" RCP Tee	1 EA		
39	36" Arch x 15" RCP Tee	1 EA		
40	24" x 12" RCP Tee	1 EA		
41	54" x 48" Riser Tee Storm Sewer Manhole	1 EA		
42	48" Storm Sewer Manhole	6 EA		
*43	60" Storm Sewer Manhole	2 EA		
*44	72" Storm Sewer Manhole	3 EA		
45	84" Storm Sewer Manhole	2 EA		

*Revised by Addendum 1

Bid Schedule A, Continued

Item	Description	Quantity	Unit Price	Total Price
46	96" Storm Sewer Manhole	1 EA		
47	120" Storm Sewer Manhole	1 EA		
48	4' X 6' Type B Storm Sewer Inlet	10 EA		
49	4' X 9' Type B Storm Sewer Inlet	5 EA		
50	2' X 3' Type B Storm Sewer Inlet	16 EA		
51	30" Area Inlet	1 EA		
52	48" Area Inlet	1 EA		
53	Connect to Existing 54" RCP Storm Sewer Pipe	1 EA		
54	Connect to Existing 18" RCP Storm Sewer Pipe	1 EA		
55	Connect to Existing 12" PVC Storm Sewer Pipe	1 EA		
56	Connect to Existing 8" PVC Storm Sewer Pipe	1 EA		
57	8" PVC Sanitary Sewer Main	1,890 LF		
58	10" PVC Sanitary Sewer Main	42 LF		
59	12" PVC Sanitary Sewer Main	365 LF		
60	15" PVC Sanitary Sewer Main	63 LF		
61	Dewatering (Sanitary Sewer)	340 LF		
62	Connect to Existing 15" VCP Sanitary Sewer Main	2 EA		
63	Connect to Existing 10" VCP Sanitary Sewer Main	1 EA		
64	Connect to Existing 10" PVC Sanitary Sewer Main	1 EA		
65	Connect to Existing 8" VCP Sanitary Sewer Main	1 EA		
66	Connect to Existing 8" PVC Sanitary Sewer Main	1 EA		
67	Sanitary Sewer Manhole (0'-10')	10 EA		
68	Sanitary Sewer Manhole Extra Depth	7.9 VF		
69	Inside Manhole Drop Assembly	1 EA		
70	Sanitary Sewer Pipe Insulation	810 LF		

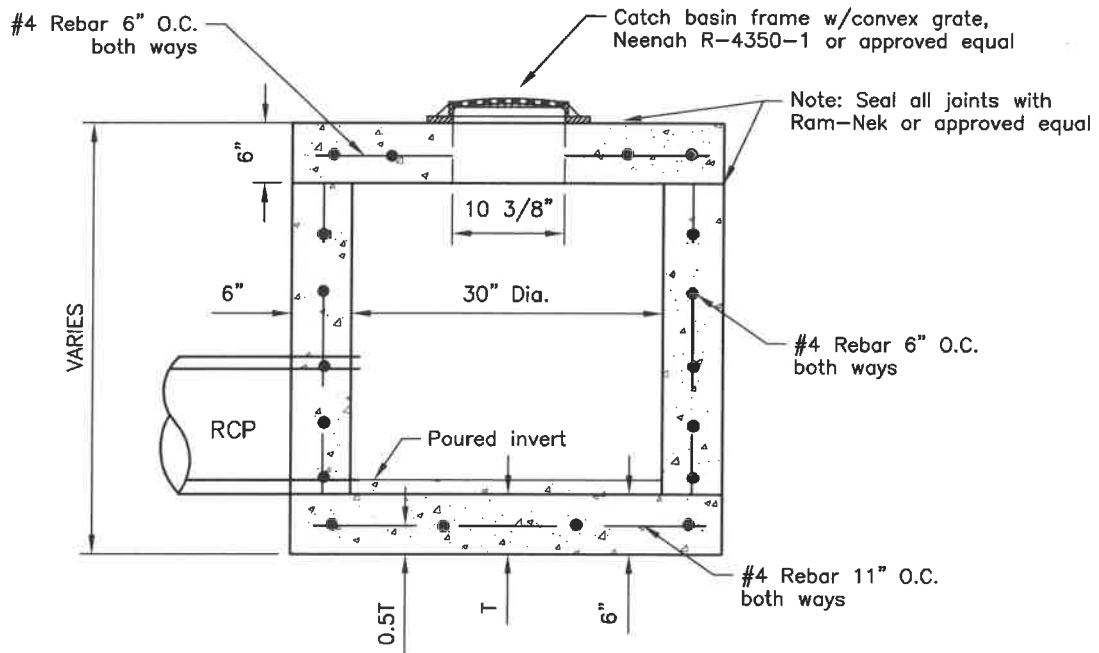
Bid Schedule A, Continued

Item	Description	Quantity	Unit Price	Total Price
71	Bypass Pumping (Sanitary Sewer)	1 LS		
72	Post Televising Sanitary Sewer Main (All Sizes)	2,297 LF		
73	24" DI Water Main	55 LF		
74	20" DI Water Main	36 LF		
75	6" PVC Water Main	1,662 LF		
76	10" Encasement Pipe	100 LF		
77	Dewatering (Water Main)	91 LF		
78	Connect to Existing 24" DI Water Main	2 EA		
79	Connect to Existing 20" DI Water Main	1 EA		
80	Connect to Existing 6" PVC Water Main	7 EA		
81	24" x 24" x 20" MJ Tee	1 EA		
82	6" x 6" MJ Tee	5 EA		
83	6" x 6" MJ Cross	2 EA		
84	6" MJ Gate Valve w/ Box	13 EA		
85	24" MJ 45 Degree Bend	4 EA		
86	20" MJ 45 Degree Bend	2 EA		
87	6" MJ 45 Degree Bend	8 EA		
88	Fire Hydrant Assembly	4 EA		
89	Strip and Stockpile Topsoil	1,240 CY		
90	Unclassified Excavation	16,200 CY		
91	Geotextile Fabric Separator	23,065 SY		
92	Temporary Gravel Surfacing	61 TN		
93	Gravel Surfacing	470 TN		
94	Haul, Place and Compact City Furnished Gravel Base Course	15,510 TN		
95	Asphalt Surfacing	4,093 TN		

Bid Schedule A, Continued

Item	Description	Quantity	Unit Price	Total Price
96	Concrete Curb and Gutter	6,657 LF		
97	Reinforced Concrete Curb and Gutter	214 LF		
98	Concrete Fillet Section	320 SY		
99	6" Concrete Valley Gutter	50 SY		
100	8" Concrete Approach Pavement	815 SY		
101	6" Concrete Approach Pavement	774 SY		
102	6" Concrete Sidewalk	2,762 SF		
103	4" Concrete Sidewalk	3,890 SF		
104	4' Wide Temporary Sidewalk	200 LF		
105	Detectable Warning Panels	290 SF		
106	Adjust Manhole to Grade	34 EA		
107	Adjust Valve Box to Grade	18 EA		
108	Reset Mailbox with New Post	14 EA		
109	Reset Traffic Sign	10 EA		
110	Seed, Fertilize, and Mulch Disturbed Area	9,976 SY		
111	Inlet Protection	34 EA		
112	EDA Project Sign	1 LS		
113	Project Traffic Control Signs	263 SF		
114	Type 3 Barricades	48 EA		
115	Orange Safety Fence	1,355 LF		
116	Traffic Control Miscellaneous	1 LS		
*117	Tracer Wire Box for Water Main	4 EA		
Total For Bid Schedule A - EDA Participating Items 1 - 117 Inclusive				

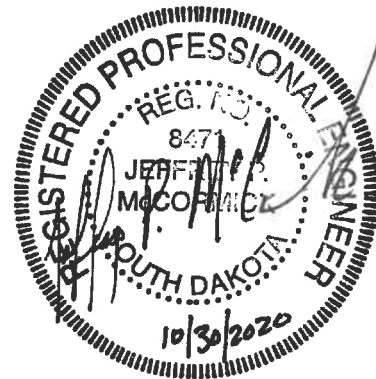
*Revised by Addendum 1



30 INCH DIAMETER STORM INLET

SCALE: NONE

Addendum 1



SPN

& Associates

Engineers, Planners and Surveyors

2100 North Sanborn Blvd. - P.O. Box 398

Mitchell, South Dakota 57301

Phone: (605) 996-7761

Fax: (605) 996-0015