



FEBRUARY 19, 2019

RE: MAIN AVENUE STREET IMPROVEMENTS, MAIN AVENUE STORM SEWER
 IMPROVEMENTS AND WASTEWATER COLLECTION SYSTEM
 IMPROVEMENTS
 PRESHO, SOUTH DAKOTA
 SPN #14740 – SRF#C461236-01
 CDBG#1718-103 – DOT#CA 018J PCN 06MY

BID LETTING: THURSDAY, February 21, 2019, 3:00 PM

ADDENDUM NUMBER 2

The following modifications are to be made to the plans and specifications for the Main Avenue Street Improvements, Main Avenue Storm Sewer Improvements and Wastewater Collection System Improvements Projects.

SPECIFICATIONS

SECTION 02 01 00 - MAINTENANCE OF EXISTING CONDITIONS

PART 3.02 – UTILITY CONTACT, SUBPART A.3, REVISE TO READ

3. WATER/SEWER/STREETS:

(Name of Company) CITY OF PRESHO
 (Mailing Address) PO BOX 100
 (City, State, Zip Code) PRESHO SD 57568
 Contact Person: JOHN UTHE

Telephone Number: (605) 280-8527

SECTION 33-11-00 - WATER UTILITY PIPING AND FITTINGS

PART 2.09.A – BEDDING MATERIAL, REVISE TO READ:

A. Borrowed granular bedding material shall conform to the gradation indicated below.

<u>Sieve Opening</u>	<u>Bedding Material (Percent Passing)</u>
4"	95-100
No. 200	<15

Sieve Opening	Bedding Material (Percent Passing)
1"	100
3/4"	90-100
5/8"	65-85
1/2"	15-60
3/8"	5-30
No. 4	0-10
No. 8	0-5

PART 3.01.F, REVISE TO READ:

- F. Granular Bedding shall be used as bedding material. After each pipe has been graded, aligned, and placed in final position on the bedding material and shoved home, sufficient pipe embedment material shall be deposited and compacted under and around each side of the pipe and back of the bell or end thereof to hold the pipe in proper position and alignment during subsequent pipe joining and embedment operations. Granular Bedding shall be placed as in Class ~~C~~ **B** Bedding on Standard drawing 33 11 00-1. Bedding material shall be as specified in Part 2.

SECTION 33 31 00 – SANITARY SEWER PIPING AND FITTINGS:

PART 2.04.C, DELETE IN ITS ENTIRETY.

PART 3.02.F, REVISE TO READ:

- F. Class ~~"C"~~ **"B"** Bedding shall be used with all piping. The bedding material shall conform to the requirements of Part 2 above. General requirements for placement are shown on Standard Drawing 33 31 00-1. ~~On all non-rigid piping, care will be taken to provide maximum support in the haunch area of the pipe. This area extends from the bedding material to the center of the pipe. If coarse materials with voids have been used for bedding materials, the same bedding materials will be used for haunching.~~ When a trench box or similar device is used during excavation, the box will be raised sufficiently to recompact the haunch area in the natural trench to 95% maximum dry density as determined by ASTM D 698.

PLANS – MAIN AVENUE STREET AND STORM SEWER IMPROVEMENTS

PLAN SHEET 6 OF 122, STORM SEWER, ADD THE FOLLOWING:

All RCP and PVC storm sewer pipe shall be bed with borrowed granular bedding conforming to the following gradation:

Sieve Opening	Bedding Material (Percent Passing)
1"	100
3/4"	90-100

Sieve Opening	Bedding Material (Percent Passing)
5/8"	65-85
1/2"	15-60
3/8"	5-30
No. 4	0-10
No. 8	0-5

Bedding of RCP Storm Sewer shall be as shown on Detail 33 41 00-01 attached to this addendum.

Bedding of PVC Storm Sewer shall be as shown on Detail 33 41 00-02 attached to this addendum.

PLANS – WASTEWATER COLLECTION SYSTEM IMPROVEMENTS

PLAN SHEET 68 OF 79, ADD THE FOLLOWING NOTE:

PIPE BEDDING:

All sanitary sewer, watermain, and storm sewer pipe shall be bed with borrowed granular bedding conforming to the following gradation:

Sieve Opening	Bedding Material (Percent Passing)
1"	100
3/4"	90-100
5/8"	65-85
1/2"	15-60
3/8"	5-30
No. 4	0-10
No. 8	0-5

Sanitary sewer pipe shall be Class B bedding as shown on Standard Drawing 33 31 00 in Section 33 31 00 of the Project Specifications.

Watermain pipe shall be Class B bedding as shown on Standard Detail 33 11 00-01 in Section 33 11 00 of the Project Specifications.

Bedding of RCP Storm Sewer shall be as shown on Detail 334100-01 attached to this addendum.

Bedding of PVC Storm Sewer shall be as shown on Detail 334100-02 attached to this addendum.

PLAN SHEET 70 OF 79, BEDDING DETAIL (PVC STORM SEWER), DELETE IN ITS ENTIRETY.

No other modifications were made to the plans.





Jay C. Koch, P.E., Project Engineer
Schmucker, Paul, Nohr & Associates

The undersigned hereby acknowledges receipt of Addendum Number 2 to the plans and specifications for the MAIN AVENUE STREET IMPROVEMENTS, MAIN AVENUE STORM SEWER IMPROVEMENTS AND WASTEWATER COLLECTION SYSTEM IMPROVEMENTS.

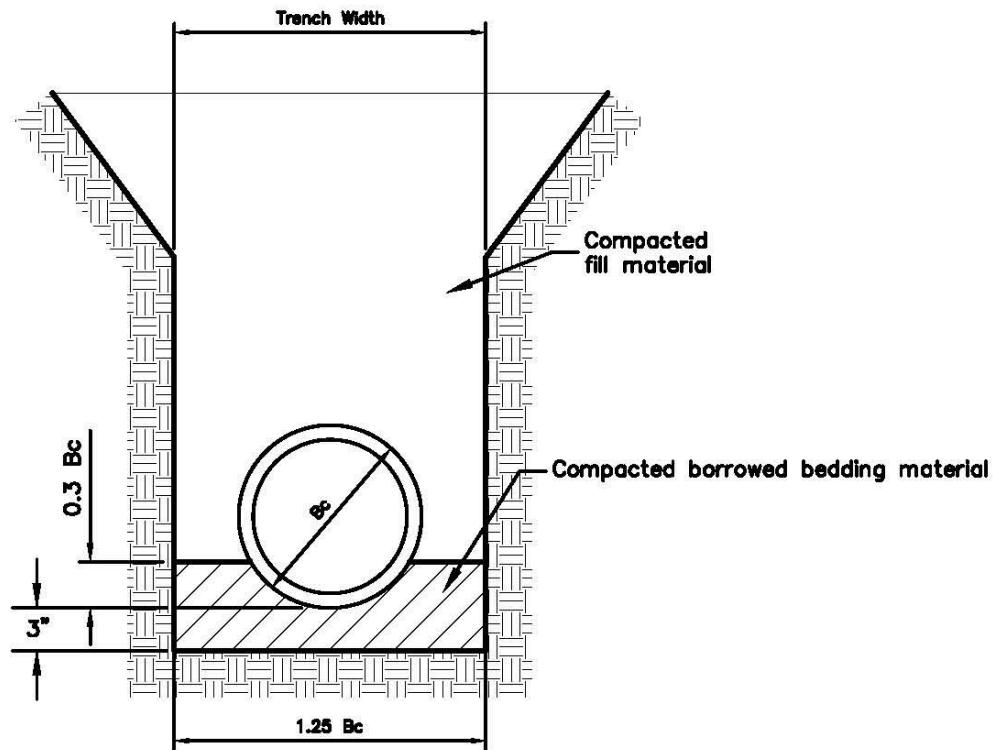
FIRM NAME _____

BY _____

TITLE _____

DATE _____

ACKNOWLEDGE RECEIPT OF THIS ADDENDUM IN THE BIDDING DOCUMENTS – ARTICLE 3 AND/OR ATTACH THIS SIGNED ADDENDUM TO THE BID FORM WHEN SUBMITTING.



BEDDING DETAIL (RCP STORM SEWER PIPE)

SCALE: NONE

DETAIL: 334100-01

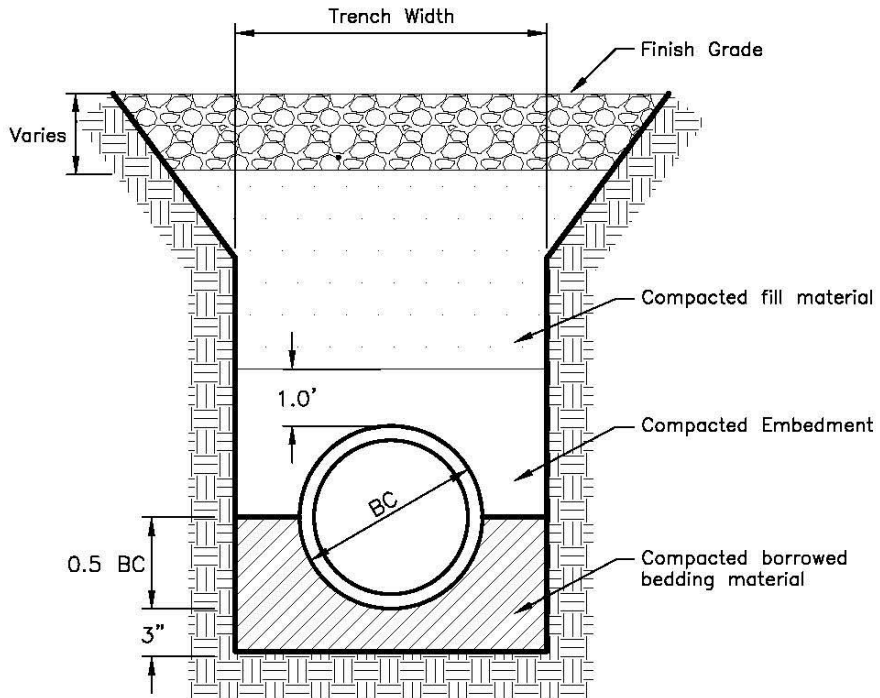
SPN

& Associates

Engineers, Planners and Surveyors

2100 North Sanborn Blvd. - P.O. Box 398 Mitchell, South Dakota 57301

Phone: (605) 996-7761 Fax: (605) 996-0015



BEDDING DETAIL (PVC STORM SEWER PIPE)

SCALE: NONE

DETAIL: 334100-02

NOTE: Compacted Embedment shall be finely divided job excavated materials (<3" Diameter) placed in uniform layers not more than 8" thick and compacted to 95% maximum density s determined by ASTM D698.

SPN

& Associates

Engineers, Planners and Surveyors

2100 North Sanborn Blvd. - P.O. Box 398

Mitchell, South Dakota 57301

Phone: (605) 996-7761

Fax: (605) 996-0015